

Play it safe



Pro modules

Illustration only

Pro M3 mono

190 W • 195 W

- Guaranteed high yields
- 10-year product warranty
25-year performance warranty
- Manufactured according to premium quality standards

Pro M3 mono

Electrical data under STC (Standard Test Conditions: 1000 W/m², 25 °C, AM 1.5)

Rated power	P_{max}	190 W	195 W
Sorting limits of performance		0/+5 W	0/+5 W
Voltage	U_{MPP}	36.48 V	36.68 V
Open circuit voltage	U_{OC}	44.87 V	45.04 V
Current	I_{MPP}	5.21 A	5.32 A
Short-circuit current	I_{SC}	5.54 A	5.62 A
Efficiency		14.9%	15.3%

Temperature data

Power temperature coefficient	$T_K(P_{MPP})$	-0.43 %/K
Voltage temperature coefficient	$T_K(U_{OC})$	-0.30 %/K
Current temperature coefficient	$T_K(I_{SC})$	0.04 %/K

Further information

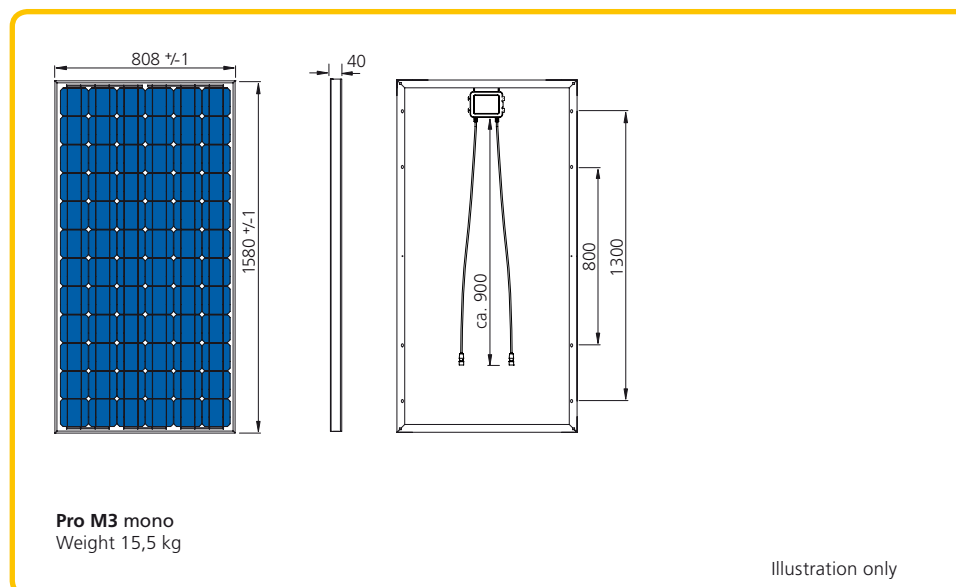
Number of cells	72
Max. system voltage	1000 V
Reverse current loading capability	15 A
Front cover	Special hardened low-iron glass
Module connection	Connection box with 3 bypass diodes ca. 90 cm cable, Ø 4 mm ²
Snow load* Load tested according to EN IEC 61215 (ed. 2)	5400 Pa \triangleq 550 kg/m ²

10-year product warranty, 25-year performance warranty. Our general warranty conditions apply, but in derogation of point 2, the product warranty shall run for ten (10) years.
Performance warranty 10 years 90%, 25 years 80%

Subject to technical modifications with corresponding follow-up certifications.

Certifications

EN IEC 61215 (ed. 2)	pending
EN IEC 61730-1, -2	pending
Protection class II	



Valid as of 1.10.2011: / Dokument-Nr.: 1110MD8426

Your specialist dealer:

Solar-Fabrik AG
Munzinger Str. 10
79111 Freiburg
Germany
Phone +49 (0)761 4000-0
Fax +49 (0)761 4000-199
www.solar-fabrik.de