

Play it safe



Premium modules  
MADE IN GERMANY

12-year  
product warranty

**NEW**

## Premium incell XM mono black

185 W • 190 W • 195 W • 200 W

- For roof-integrated systems – with patented SOLRIF® frame system
- Elegant black module for aesthetically demanding projects
- Guaranteed high yields for decades
- 12-year product warranty  
25-year performance warranty
- Certified production with state-of-the-art technology

# Premium incell XM mono black

## Electrical data under STC (Standard Test Conditions: 1000 W/m<sup>2</sup>, 25 °C, AM 1.5)

Rated power	$P_{max}$	185 W	190 W	195 W	200 W
Sorting limits of performance		+/- 2.5 W	+/- 2.5 W	+/- 2.5 W	+/- 2.5 W
Voltage	$U_{MPP}$	23.95 V	24.40 V	24.70 V	25.00 V
Open circuit voltage	$U_{OC}$	30.05 V	30.14 V	30.20 V	30.25 V
Current	$I_{MPP}$	7.75 A	7.80 A	7.90 A	8.00 A
Short-circuit current	$I_{SC}$	8.55 A	8.62 A	8.65 A	8.70 A
Efficiency		13.6 %	13.9 %	14.3 %	14.7 %

## Electrical data at 800 W/m<sup>2</sup>, NOCT (45 °C +/- 2K), AM 1.5

Power in MPP	$P_{max}$	139 W	142 W	146 W	149 W
Voltage	$U_{MPP}$	22.07 V	22.49 V	22.76 V	23.04 V
Open circuit voltage	$U_{OC}$	27.76 V	27.85 V	27.90 V	27.95 V
Current	$I_{MPP}$	6.28 A	6.32 A	6.40 A	6.48 A
Short-circuit current	$I_{SC}$	6.90 A	6.95 A	6.98 A	7.02 A

The efficiency decreases by approximately 3.5% compared to the efficiency under STC at an irradiation of 200 W/m<sup>2</sup> and 25 °C.

## Temperature data

Power temperature coefficient	$T_K(P_{MPP})$	-0.47 %/K
Voltage temperature coefficient	$T_K(U_{OC})$	-98 mV/K
Current temperature coefficient	$T_K(I_{SC})$	5.45 mA/K

## Further information

Number of cells	48
Max. system voltage	1000 V
Reverse current loading capability	17 A
Front cover	Special hardened low-iron glass
Module connection	Connection box with 3 bypass diodes, 2.0 m solar cable Ø 4 mm <sup>2</sup> , plug connector IP 68 Lumberg LC3, socket at the connection box
Snow load* Load tested according to EN IEC 61215 (ed. 2)	With SOLRIF®: 5400 Pa $\hat{=}$ 550 kg/m <sup>2</sup>

\* Mounting system and statics according to information from Schweizer Metallbau company ([www.schweizer-metallbau.ch](http://www.schweizer-metallbau.ch))

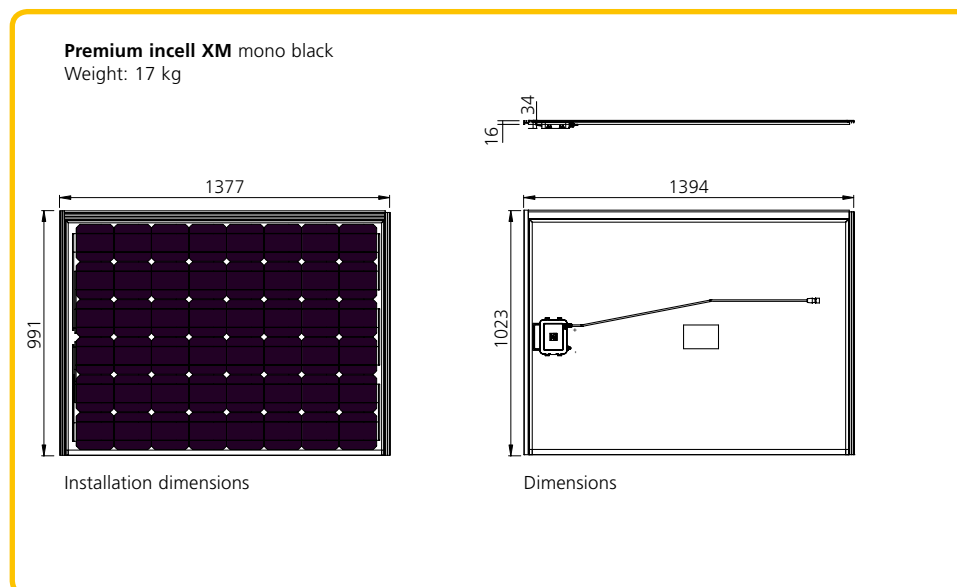
12-year product warranty, 25-year performance warranty on solar power modules according to our additional warranty conditions, which we will gladly send you.

SOLRIF® in-roof mounting system, TÜVdotCom certified. The manufacturer of this system, Ernst Schweizer AG, Hedingen, Switzerland, gives Solar-Fabrik a guarantee of 10 years on the delivered material and the parts of the system, in accordance with the guarantee terms of Schweizer, which we will gladly provide if requested. Guarantee claims will be processed for you by Solar-Fabrik. This guarantee warranted by Ernst Schweizer AG does not include the solar modules and does not affect the contractual warranty of Solar-Fabrik.

Subject to technical modifications with corresponding follow-up certifications.

## Certifications

EN IEC 61215 (ed. 2)	
EN IEC 61730-1, -2	
Protection class II	
Directive 2006/95/EG (CE)	
MCS	pending
TÜVdotCOM (frame)	



Your specialist dealer:

**Solar-Fabrik AG**  
 Munzinger Str. 10  
 79111 Freiburg  
 Germany  
 Phone +49 (0)761 4000-0  
 Fax +49 (0)761 4000-199  
[www.solar-fabrik.de](http://www.solar-fabrik.de)